

BASE PEDESTAL KIT TRITUS



A) HORIZONTAL DELIVERY VERSION WITH 3/4" GUIDE TUBES

For TR 0.75, TR 0.9, TR 1.1, TR 1.3	Cod. ASSPTRITUS11	DN 2"
For TR 1.5, TR 2.2	Cod. ASSPTRITUS22	DN 2"

Kit consisting of:

- footing connection
- slide guide (with ring nut and seal for TR 0.75, TR 0.9, TR 1.1, TR 1.3, with screws and seal for TR 1.5 and TR 2.2)
- support for the guide tubes

B) VERTICAL DELIVERY VERSION WITH 3/4" GUIDE TUBES

For TR 0.75, TR 0.9, TR 1.1, TR 1.3	Cod. ASSPTRITUS11V	DN 2½"
For TR 1.5, TR 2.2	Cod. ASSPTRITUS22V	DN 2½"

Kit consisting of:

- footing connection complete with counterflange
- slide guide (with ring nut and seal for TR 0.75, TR 0.9, TR 1.1, TR 1.3, with screws and seal for TR 1.5 and TR 2.2)
- support for the guide tubes

INTERMEDIATE SUPPORT (To be ordered separately)

Cod. 859SV340INTFA	For Ø 3/4" guide tubes
--------------------	------------------------

GUIDE TUBES (AISI 304 stainless steel)

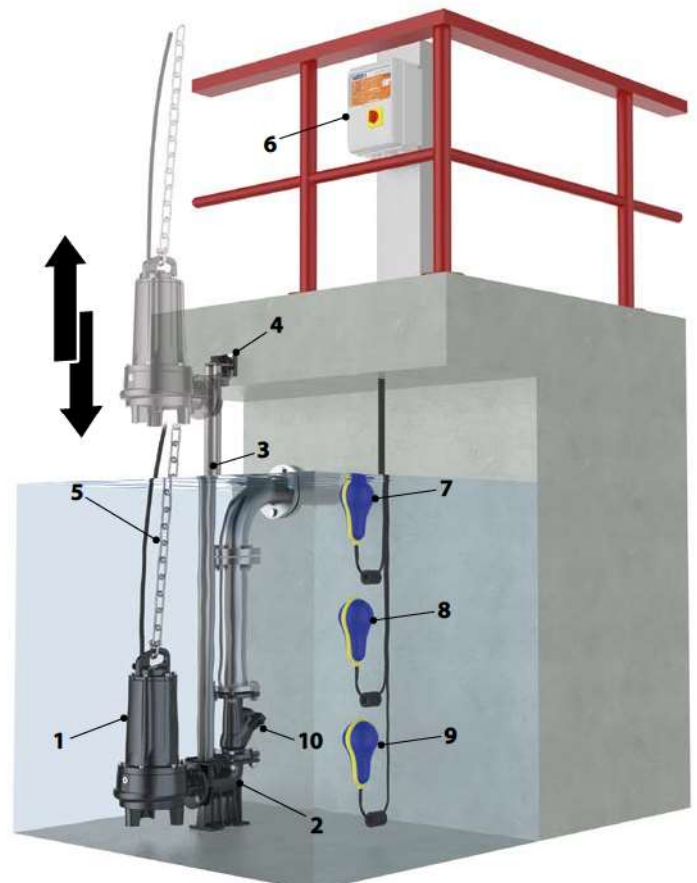
Cod. 54SARTG005	Ø 3/4"
-----------------	--------

In order to ensure stability, insert one intermediate support every two metres of guide tube

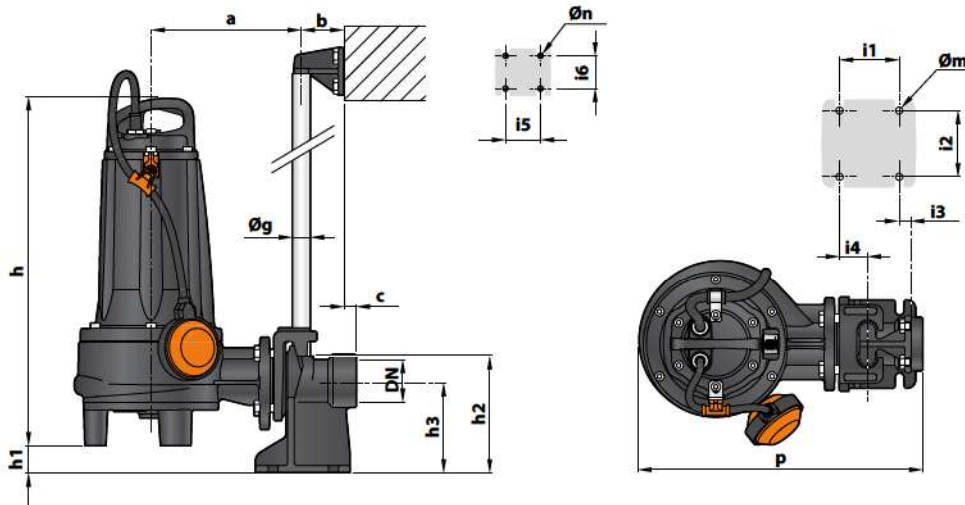
Maximum length of the tube plank: 6 metres

STANDARD INSTALLATION

1. Pump
2. Footing connection
3. Guide tubes
4. Support for the guide tubes
5. Lifting chain
6. Control box
7. Alarm float switch
8. Starting float switch
9. Stop float switch
10. Non-return valve

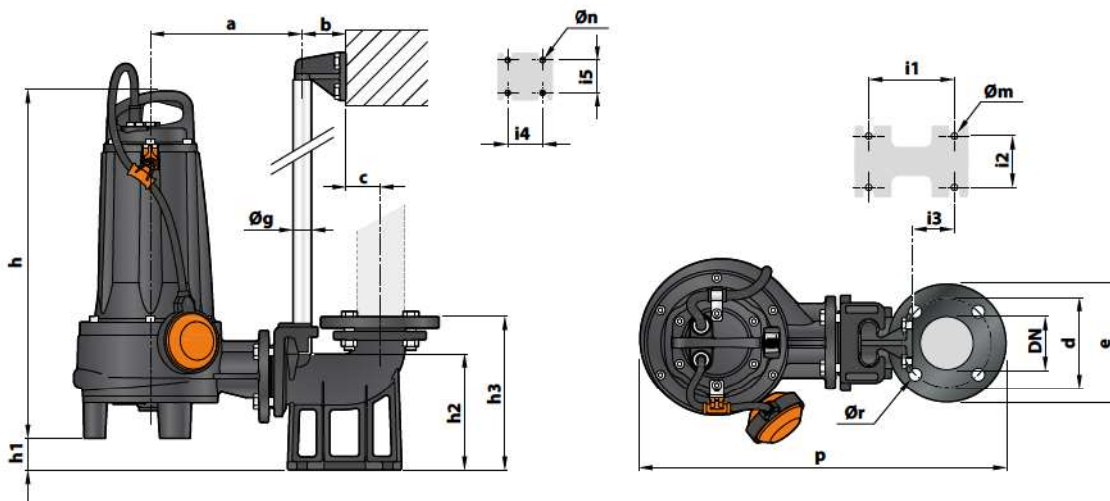


DIMENSIONS (Horizontal delivery version)



MODEL		PORT	DIMENSIONS mm																
Single-phase	Three-phase	DN	a	b	c	p	h	h1	h2	h3	i1	i2	i3	i4	i5	i6	Øg	Øm	Øn
TRm 0.75	TR 0.75	2"	210	61	17	392	405	50	165	130	85	94	40	16	50	48	¾"	12	11
TRm 0.9	TR 0.9																		
TRm 1.1	TR 1.1																		
TRm 1.3	TR 1.3																		
TRm 1.5	TR 1.5	2"	216	61	17	401	489	40	165	130	85	94	40	16	50	48	¾"	12	11
-	TR 2.2																		

DIMENSIONS (Vertical delivery version)



MODEL		PORT	DIMENSIONS mm																		
Single-phase	Three-phase	DN	a	b	c	d	e	p	h	h1	h2	h3	i1	i2	i3	i4	i5	Øg	Øm	Øn	Ør
TRm 0.75	TR 0.75	2½"	202	61	52	125	165	501	405	48	164	216	120	72	62	50	48	¾"	14	11	18
TRm 0.9	TR 0.9																				
TRm 1.1	TR 1.1																				
TRm 1.3	TR 1.3																				
TRm 1.5	TR 1.5	2½"	212	61	52	125	165	515	489	38	164	216	120	72	62	50	48	¾"	14	11	18
-	TR 2.2																				