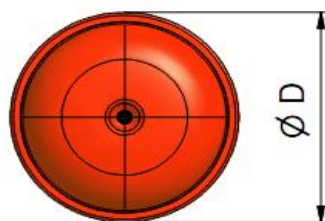
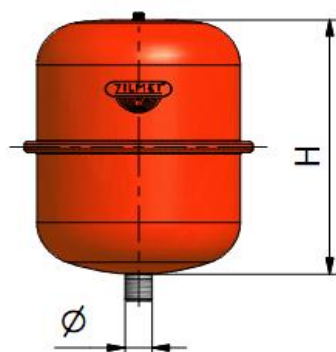




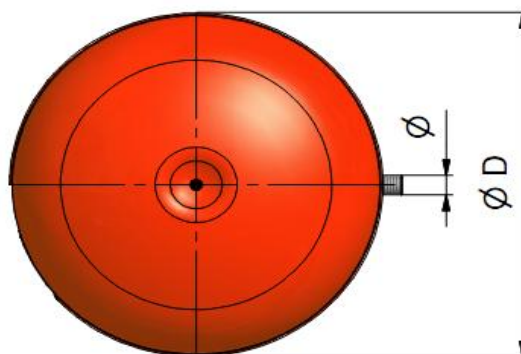
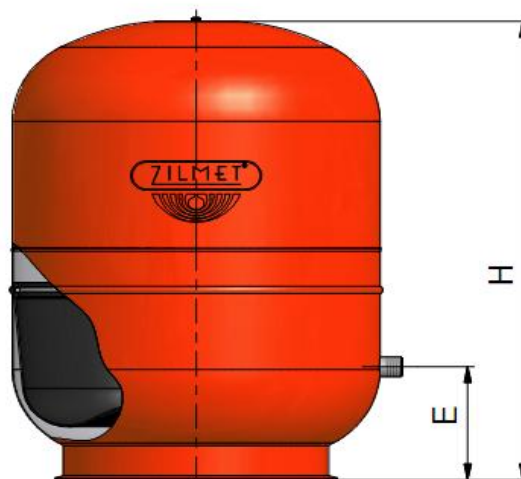
Pre vykurovacie systémy

This drawing is property
of company Zilmet S.p.A.
All rights reserved

4 ÷ 50 L



80 ÷ 500 L



Model	kód	objem v litroch (litre)	priemer Ø D (mm)	výška H (mm)	ripovanie Ø C	E (mm)
CAL-PRO 4	130000400	4	225	195	G 3/4"	
CAL-PRO 8	130000800	8	220	295	G 3/4"	
CAL-PRO 12	130001200	12	294	281	G 3/4"	
CAL-PRO 18	130001800	18	290	400	G 3/4"	
CAL-PRO 24	130002400	24	324	415	G 3/4"	
CAL-PRO 35	130003500	35	404	408	G 3/4"	
CAL-PRO 50	130005000	50	407	530	G 3/4"	
CAL-PRO 80	130008000	80	450	608	G 3/4"	150
CAL-PRO 105	130010500	105	500	665	G 3/4"	165
CAL-PRO 150	130015000	150	500	897	G 3/4"	216
CAL-PRO 200	130020000	200	600	812	G 3/4"	225
CAL-PRO 250	130025000	250	630	957	G 3/4"	245
CAL-PRO 300	130030000	300	630	1105	G 3/4"	245
CAL-PRO 400	130040000	400	630	1450	G 3/4"	245
CAL-PRO 500	130050000	500	750	1340	G 1"	290



This drawing is property
of company Zilmet S.p.A.
All rights reserved

Technical drawing CAL PRO CE EXPORT
DRW. no. 20013 CE EXPORT

